

## M23 SERVO CABLE

Specification: 6FX8002-5CS01-1DF0

Power cable for SINAMICS S120 and Motors with M23 connection

Female straight – pre-wired terminals

M23, 6-pole

4-pole used

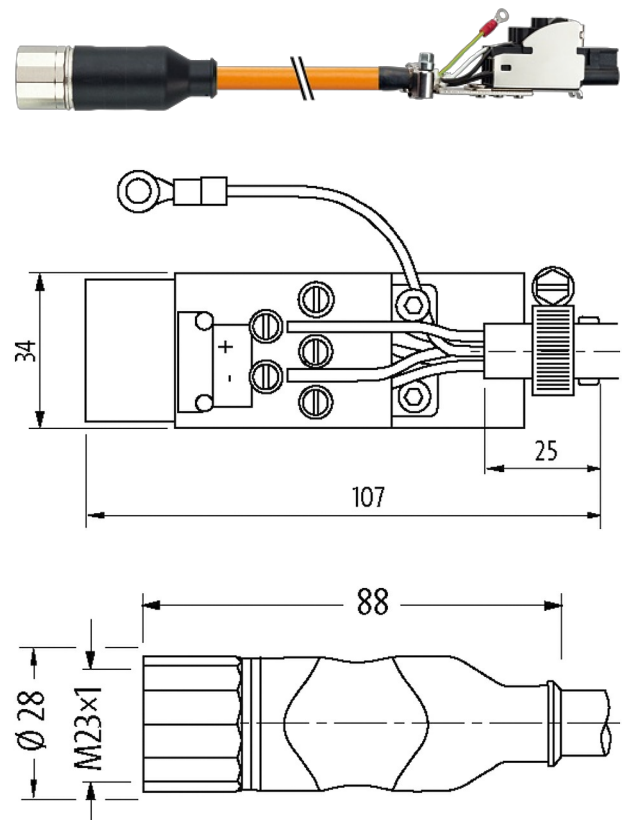
Further cable lengths on request.

Plastic housings with good resistance against chemicals and oils.

The resistance to aggressive media should be individually tested for your application. Further details on request.

### [Link to Product](#)

#### Illustration



Product may differ from Image

#### Form

Form PS015

#### General data

Pollution Degree 3

Temperature range -25...+85 °C, depending on cable quality

#### Cables

Cable number 854

No./diameter of wires (4G1.5+C)

Wire isolation TPM (bk num, gnye)

C-track properties 10 Mio.

Torsion stress ±30 °/m

Jacket Color	orange
Material (jacket)	PUR (UL/CSA) (=MC800+)
Specification	6FX8008-1BB11
Outer Ø	9.1 mm ±5%
Bend radius (fixed)	5× outer Ø
Bend radius (moving)	7.5× outer Ø
Temperature range (fixed)	-30...+80 °C
Temperature range (mobile)	-30...+60 °C
Shield	yes
Approval (cable)	cURus (AWM-Style 21223/10492)

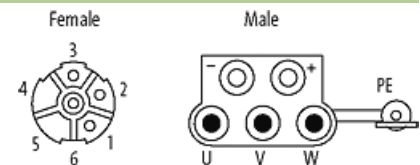
#### Technical Data

Operating voltage	max. 630 V AC/DC
Operating current per contact	Power cores: 12 A (1.5 mm <sup>2</sup> ), 15 A (2.5 mm <sup>2</sup> ); brake cores: 5 A (1.5 mm <sup>2</sup> )
Locking of ports	Screw thread (M23×1 mm) recommended torque 2.0 Nm, self-securing
Compression gland	M23 (SW27)
Protection	IP20/IP67
Locking material	Brass, nickel plated
Material	PUR

#### Commercial data

country of origin	DE
customs tariff number	85444290
EAN	4048879555098
eClass	27279218
Packaging unit	1

#### Sketch



Product may differ from Image